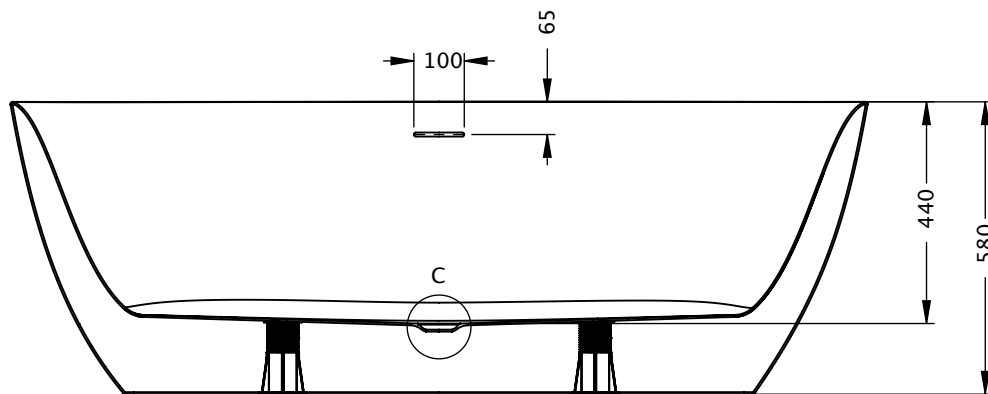
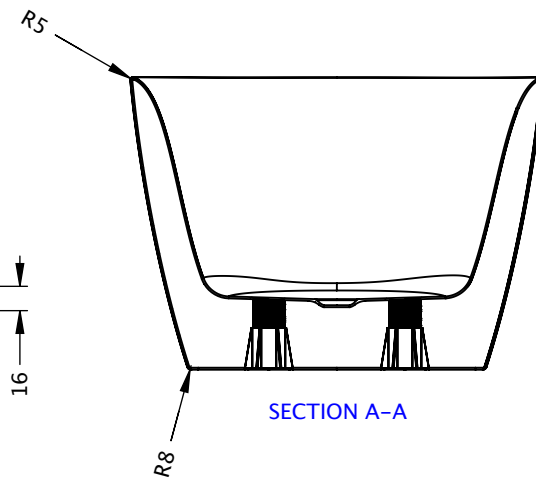
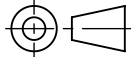


DETAIL C
SCALE 1 : 5



SECTION B-B

| | | | |
|---|------------------------|------------------------|--|
| Treatment: reinforced | | Material: Acryl gloss | |
| Rev/Change no/Dev/Date | Rev/Change no/Dev/Date | Rev/Change no/Dev/Date | Rev/Change no/Dev/Date |
| A | C | E | G |
| B | D | F | H |
| Scale: 1:15 Format: A4 Unit: mm Sheet: 1 of 1 Tolerance: NEN-ISO 2768-1 class C | | | |
| Name: cenotes ease 170 x 82 cm | | |  Third angle |
| Drawn: NN | | Date: 30-08-2018 | |
| Introduced by tech. change: | | | |